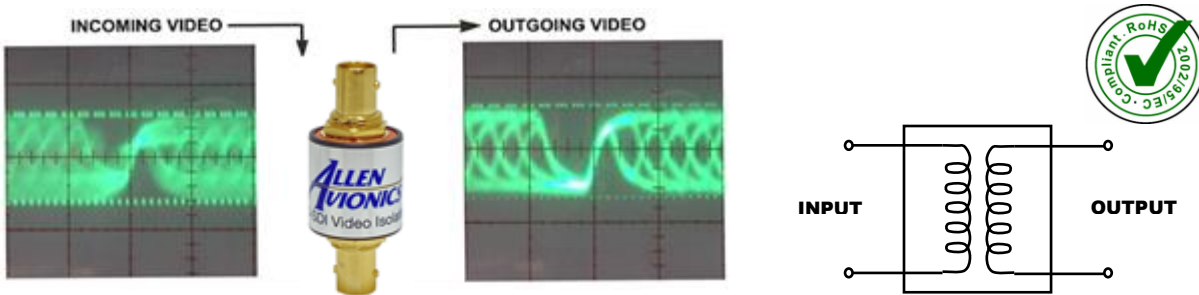


# HD-VIT-75

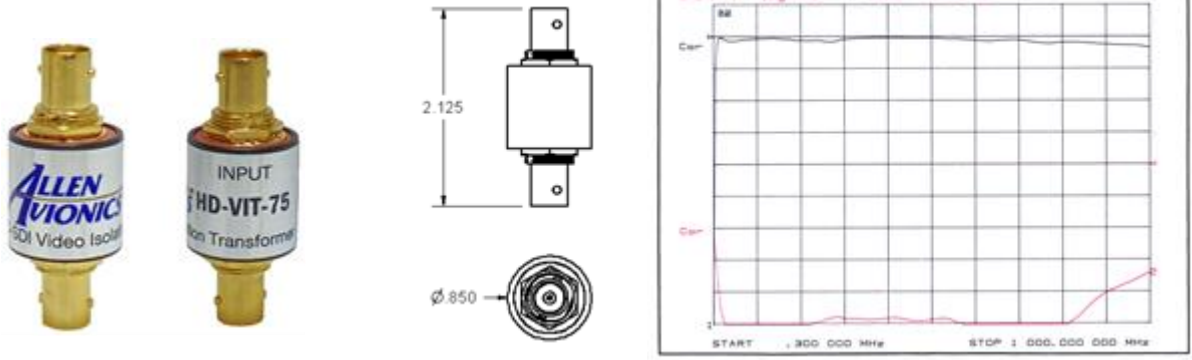
## VIDEO ISOLATION TRANSFORMER

The **HD-VIT-75** is a Video Isolation Transformer for eliminating hum in High Definition Serial Digital Transmission Lines. This can be used for Broadcast Systems where hum is present due to ground loops or where there are large differences in ground potential. The HD-VIT-75 provides electrical isolation between the Input and Output and will also eliminate induced currents in long cable runs.



### FEATURES & SPECIFICATIONS:

- ❑ Supports all transmission rates of SMPTE424M and SMPTE292M up to 1.50Gbps HD-SDI Video Input
- ❑ Equivalent to less than 20 feet of cable
- ❑ Isolated Signal Path
- ❑ Greater than 60 dB of Ground Loop Isolation
- ❑ Passive Device – No power required
- ❑ Small Cylindrical Package with Gold BNC Connectors for better response
- ❑ 75 Ohms Balanced with 3.0 GHz Bandwidth
- ❑ Greater than 15 dB Return Loss till 1.50 GHz
- ❑ 2 kV flash tested



For additional technical information or ordering information call our technical sales department at 708-453-3238. You can also see us at [www.allenavionics.com](http://www.allenavionics.com) or Email any questions you may have to [sales@allenavionics.com](mailto:sales@allenavionics.com).